

Fiber Storage Box

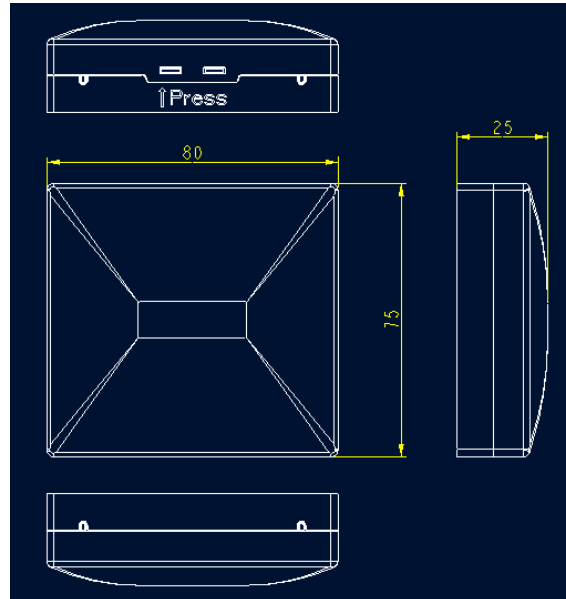
It's applicable to the optical terminal to complete connection, distribution and dispatching between subscriber cables and optical fiber terminals, and is widely used for optical communication network projects.



Feature

- Provide the space for 0.9mm invisible fiber and connectors
- It can storage for 25m fiber
- Small, compact and smart design integrated with surrounding environment

Dimension : LxWxH=80x75x25mm



Applications

- Telecommunications subscriber loop
- Fiber to the home (FTTH)